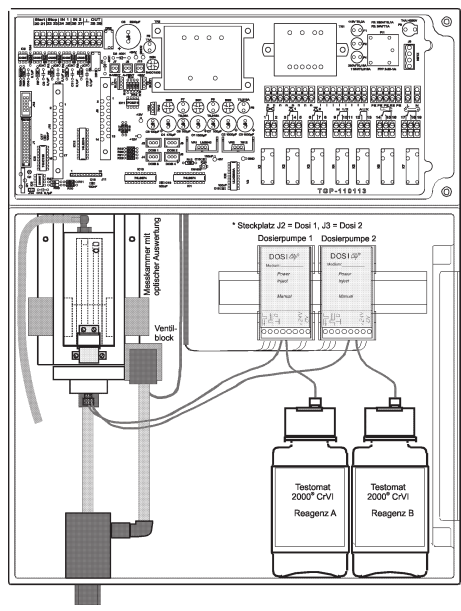


FUNCTIONAL OVERVIEW

TESTOMAT 2000® CrVI

- Quick menu navigation
- LCD clear text display
- Accurate titration via piston-dosing pump
- Reliable low maintenance operation
- Minimum indicator and water consumption
- Two adjustable limit values with programmable switch functions
- Monitoring of two measuring points
- Programmable additional program (e.g. to switch on a cooler or for an analysis message)
- Output for alarm messages
- Monitoring of the analysis run and error display (e.g. low water)
- Monitoring of the filter capacity
- Indicator storage bottle 500 ml for extended operating periods



COMPANIES OF THE HEYL NETWORK

Germany

**Gebrüder Heyl Vertriebsgesellschaft
für innovative Wasseraufbereitung mbH**
www.heylnemeris.de
Phone: +49 (0) 51 21 76 09 0
Fax: +49 (0) 51 21 76 09 44
Email: vertrieb@heylnemeris.de

France

Heyl Analysis Technologies
www.hey-at.com
Phone: +33 (0) 1 69 46 17 17
Fax: +33 (0) 1 69 46 17 40
Email: contact@hey-at.com

The Netherlands

Pro Water B.V.
www.prowater.nl
Phone: +31 (0) 74 2 91 51 50
Fax: +31 (0) 74 2 91 53 50
Email: info@prowater.nl

USA

Heyl Brothers North America L.P.
www.heylbros.de
Phone: +1 (0) 312 377 61 23
Fax: +1 (0) 312 644 07 38
Email: sales@heylbros.com

Switzerland

BWT AQUA AG
www.bwt-aqua.ch
Phone: +41 (0) 61 755 88 99
Fax: +41 (0) 61 755 88 90
Email: info@bwt-aqua.ch

Production and Development

**Gebrüder Heyl Analysetechnik GmbH &
Co. KG**
www.heylanalysis.de
Phone: +49 (0) 51 21 2 89 33 0
Fax: +49 (0) 51 21 2 89 33 67
Email: info@heylanalysis.de

Flyer Testomat 2000 CrVI EN 220228

TESTOMAT 2000® CrVI

FOR CONTROL AND MONITORING
IN ELECTROPLATING



GEBRÜDER HEYL
Analysetechnik GmbH & Co. KG
Water is our Element

PERFORMANCE FEATURES

OVERVIEW OF TESTOMAT 2000® CrVI

The process photometer **Testomat 2000® CrVI** is a robust online monitor to monitor the chromium content of wastewater in electroplating shops and to control wastewater in the metal processing industry.

The Drinking Water Ordinance (TrinkwV 2001/ amendment November 2011) prescribes a limit value of 0.05 ppm chromium in drinking water.

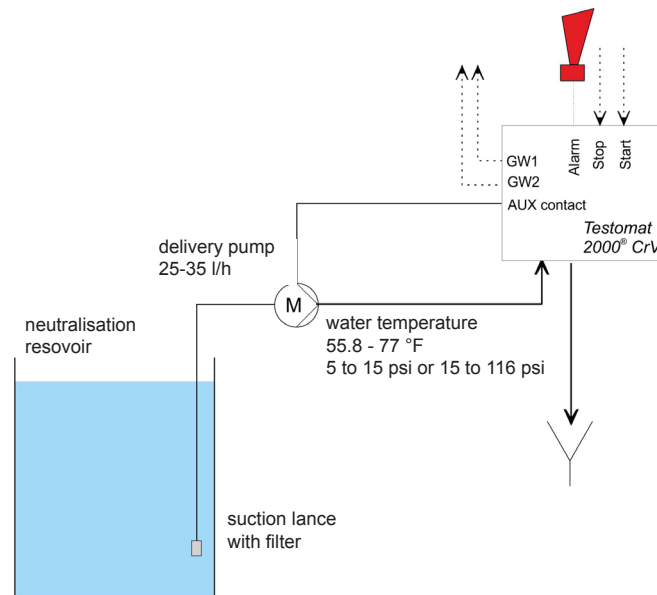
The Waste Water Ordinance (AbwV) sets a limit of 0.05 ppm chromium in the waste water of chemical industrial companies and a limit value of 0.25 g/t chromium for the iron, steel and malleable-iron foundry.

With a measuring range of 0.0-2.0 ppm (chromate) and 0-1.0 ppm (chromium VI), the Testomat 2000® CrVI is ideally suited for the required monitoring of these limit values.

The advanced **Testomat 2000® CrVI 0-5ppm** covers a larger measurement range. It is suitable for the measuring range of 0.0-5.0 ppm and is otherwise identical to the Testomat 2000® CrVI.

INSTALLATION DIAGRAM

MONITORING OF WASTE WATER



ACCESSORIES - REAGENTS

Reagent	Art. no. 500ml bottle
CrVI 2100 A, Reagent A	156220
CrVI 2100 B, Reagent B	156221

TECHNICAL DATA

OF TESTOMAT 2000® CrVI

Power supply: 24/115/230 VAC ± 10%, 50 - 60 Hz
 Instrument fuse 230 V: T0.1 A
 Instrument fuse 115 V: T0.2 A
 Instrument fuse 24 V: T1.0 A

Power consumption: max. 30VA, without external load

Protection class: I

Degree of protection: IP 65

Conformity: EN 61000-6-2,
 EN 61000-6-4, EN 61010-1

BS EN 61000-6-4+A1, BS EN
 61000-6-2, BS EN 61010-1+A1



Ambient temperature: 15 – 25 °C

Measuring range (resolution): in mg/l

Type	Chromate	Chromium VI	resolution
CrVI	0.00 - 0.99	0.00 - 0.99	0.01
	1.0 - 2.0		0.1
CrVI 0-5 ppm	0.0 - 4.0	0.00 - 11.15	0.1
	4.0 - 5.0		0.25

Current interface: 0/4 - 20 mA, max. load 500 Ohms

Dimensions (W x H x D): 380 x 480 x 280 mm

Weight: approx. 9.5 kg
 The instrument is non-volatile

Mains water supply

Operating pressure: 1 to 8 bar or 0.3 to 1 bar
 (after removing of the valve body out of the regulator/filter housing)

Water temperature: 15 – 25°C

Water inlet: Opaque hose with 6/4x1 mm external diameter

Water outlet: Hose with an internal diameter of 12 mm



Scan the code and
 visit us on our website!