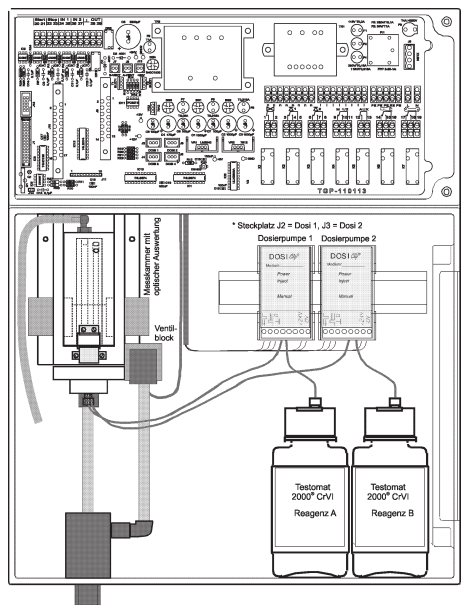


## FUNCTIONAL OVERVIEW

### TESTOMAT 2000® CrVI

- Quick menu navigation
- LCD clear text display
- Accurate titration via piston-dosing pump
- Reliable low maintenance operation
- Minimum indicator and water consumption
- Two adjustable limit values with programmable switch functions
- Monitoring of two measuring points
- Programmable additional program (e.g. to switch on a cooler or for an analysis message)
- Output for alarm messages
- Monitoring of the analysis run and error display (e.g. low water)
- Monitoring of the filter capacity
- Indicator storage bottle 500 ml for extended operating periods



## COMPANIES OF THE HEYL NETWORK

### Germany

**Gebrüder Heyl Vertriebsgesellschaft  
für innovative Wasseraufbereitung mbH**  
www.heylnemeris.de  
Phone: +49 (0) 51 21 76 09 0  
Fax: +49 (0) 51 21 76 09 44  
Email: vertrieb@heylnemeris.de

### France

**Heyl Analysis Technologies**  
www.hey-at.com  
Phone: +33 (0) 1 69 46 17 17  
Fax: +33 (0) 1 69 46 17 40  
Email: contact@hey-at.com

### The Netherlands

**Pro Water B.V.**  
www.prowater.nl  
Phone: +31 (0) 74 2 91 51 50  
Fax: +31 (0) 74 2 91 53 50  
Email: info@prowater.nl

### USA

**Heyl Brothers North America L.P.**  
www.heylbros.de  
Phone: +1 (0) 312 377 61 23  
Fax: +1 (0) 312 644 07 38  
Email: USA@hey.de

### Switzerland

**BWT AQUA AG**  
www.bwt-aqua.ch  
Phone: +41 (0) 61 755 88 99  
Fax: +41 (0) 61 755 88 90  
Email: info@bwt-aqua.ch

### Production and Development

**Gebrüder Heyl Analysetechnik GmbH &  
Co. KG**  
www.heyanalysis.de  
Phone: +49 (0) 51 21 2 89 33 0  
Fax: +49 (0) 51 21 2 89 33 67  
Email: info@heyanalysis.de  
Flyer Testomat 2000 CrVI GB 210222

## TESTOMAT 2000® CrVI

FOR CONTROL AND MONITORING  
IN ELECTROPLATING



**GEBRÜDER HEYL**  
Analysetechnik GmbH & Co. KG  
Water is our Element

## PERFORMANCE FEATURES

### OVERVIEW OF TESTOMAT 2000® CrVI

The process photometer **Testomat 2000® CrVI** is a robust online monitor to monitor the chromium content of wastewater in electroplating shops and to control wastewater in the metal processing industry.

The Drinking Water Ordinance (TrinkwV 2001/ amendment November 2011) prescribes a limit value of 0.05 ppm chromium in drinking water.

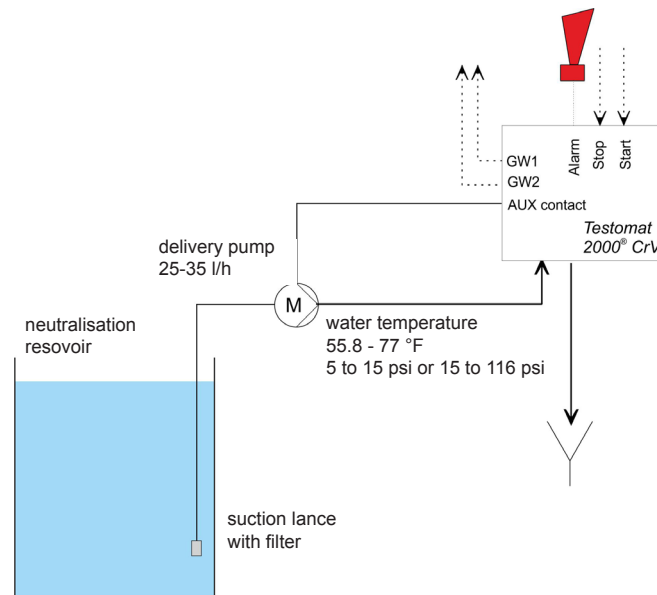
The Waste Water Ordinance (AbwV) sets a limit of 0.05 ppm chromium in the waste water of chemical industrial companies and a limit value of 0.25 g/t chromium for the iron, steel and malleable-iron foundry.

With a measuring range of 0.0-2.0 ppm (chromate) and 0-1.0 ppm (chromium VI), the Testomat 2000® CrVI is ideally suited for the required monitoring of these limit values.

The advanced **Testomat 2000® CrVI 0-5ppm** covers a larger measurement range. It is suitable for the measuring range of 0.0-5.0 ppm and is otherwise identical to the Testomat 2000® CrVI.

## INSTALLATION DIAGRAM

### MONITORING OF WASTE WATER



## ACCESSORIES - REAGENTS

Reagent	Art. no. 500ml bottle
CrVI 2100 A, Reagent A	156220
CrVI 2100 B, Reagent B	156221



Scan the code and visit us on our website!

## TECHNICAL DATA

### OF TESTOMAT 2000® CrVI

**Power supply:** 24/115/230 VAC ± 10%, 50 - 60 Hz  
Instrument fuse 230 V: T0.1 A  
Instrument fuse 115 V: T0.2 A  
Instrument fuse 24 V: T1.0 A

**Power consumption:** max. 30VA, without external load

**Protection class:** I

**Degree of protection:** IP 65

**Conformity:** EN 61000-6-2,  
EN 61000-6-4, EN 61010-1



**Ambient temperature:** 15 – 25 °C

**Measuring range (resolution):** in mg/l

Type	CrVI	CrVI 0-5ppm	resolution
Chromate	0.00 - 0.99	0.00 - 0.99	0.01
	1.0 - 2.0	1.0 - 3.0	0.1
	-	3.0 - 5.0	0.2
Chromium VI	0.00 - 0.99	0.00 - 11.15	0.01

**Current interface:** 0/4 - 20 mA, max. load 500 Ohms

**Dimensions (W x H x D):** 380 x 480 x 280 mm

**Weight:** approx. 9.5 kg  
The instrument is non-volatile

### Mains water supply

**Operating pressure:** 1 to 8 bar or 0.3 to 1 bar (after removing of the valve body out of the regulator/filter housing)

**Water temperature:** 15 – 25°C

**Water inlet:** Opaque hose with 6/4x1 mm external diameter

**Water outlet:** Hose with an internal diameter of 12 mm