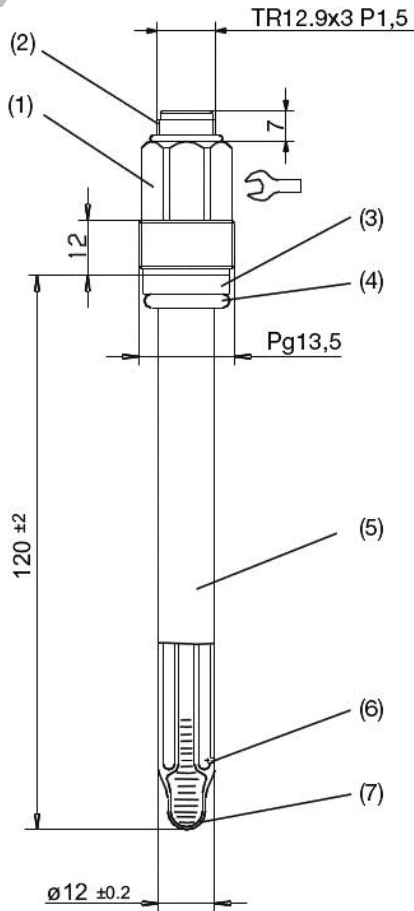


pH Sensor for Measuring Rod

with temperature sensor (article no. 310137)



- 1 Pg13.5 screw cap
(max. tightening torque 3 Nm)
- 2 TR12.9 x 3 P1.5 thread
- 3 Ring (PSU)
- 4 O-ring 10 x 3.5 (FPM70)
- 5 Electrode shaft (DIN 19263 glass)
- 6 3 diaphragms
(zirconium dioxide Ø 1mm)
- 7 Rounded membrane

Introduction

Follow these instructions when installing, operating, or servicing the product.

Scope of Application

For high-temperature and sterilization applications.

- Processes with permanently elevated temperatures (max. 135 °C)
- Sterilization applications
- Two-chamber system for when electrode poisons are present
- Media containing fluorides (hydrofluoric acid) up to 1000 mg HF/l

Measuring Range

pH range: 0 ... 14 pH
 Temperature: -5 ... 135°C (23 ... 275°F)
 Pressure: 10 bar

Technical Data

Material

Membrane glass: high temperature glass
 Shaft: glass shaft, high-temperature gel, sealed, cartridge-style conduction system with a (gel) reference electrolyte with no silver ions
 Connection: VP Pg13.5 screw cap
 Diaphragm: 3 x zirconium dioxide diaphragm (special ceramic)

With Pt100 temperature probe