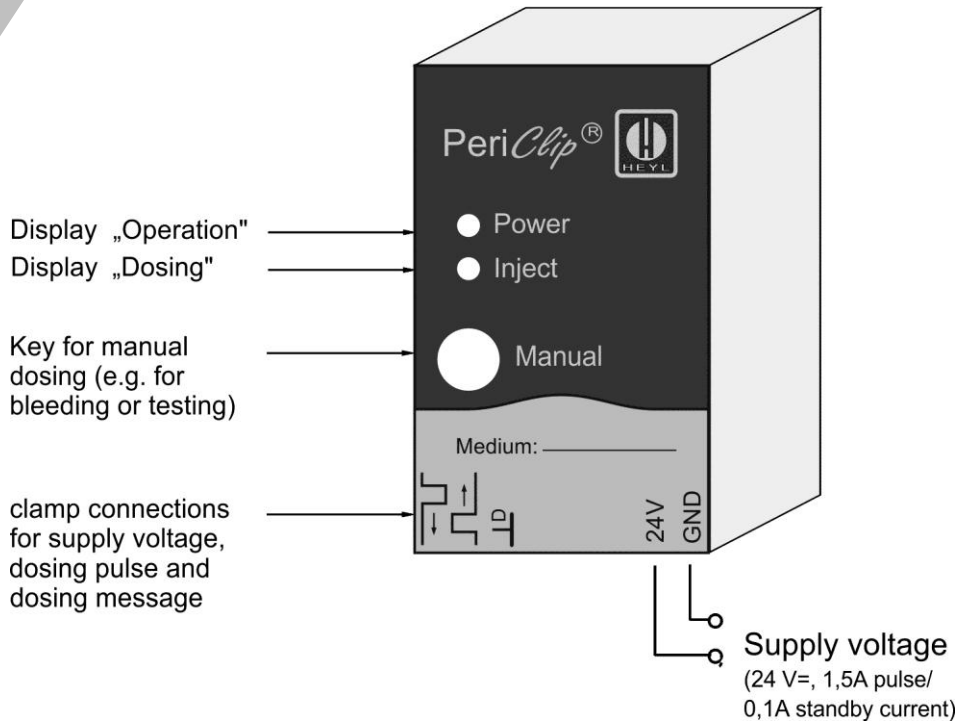
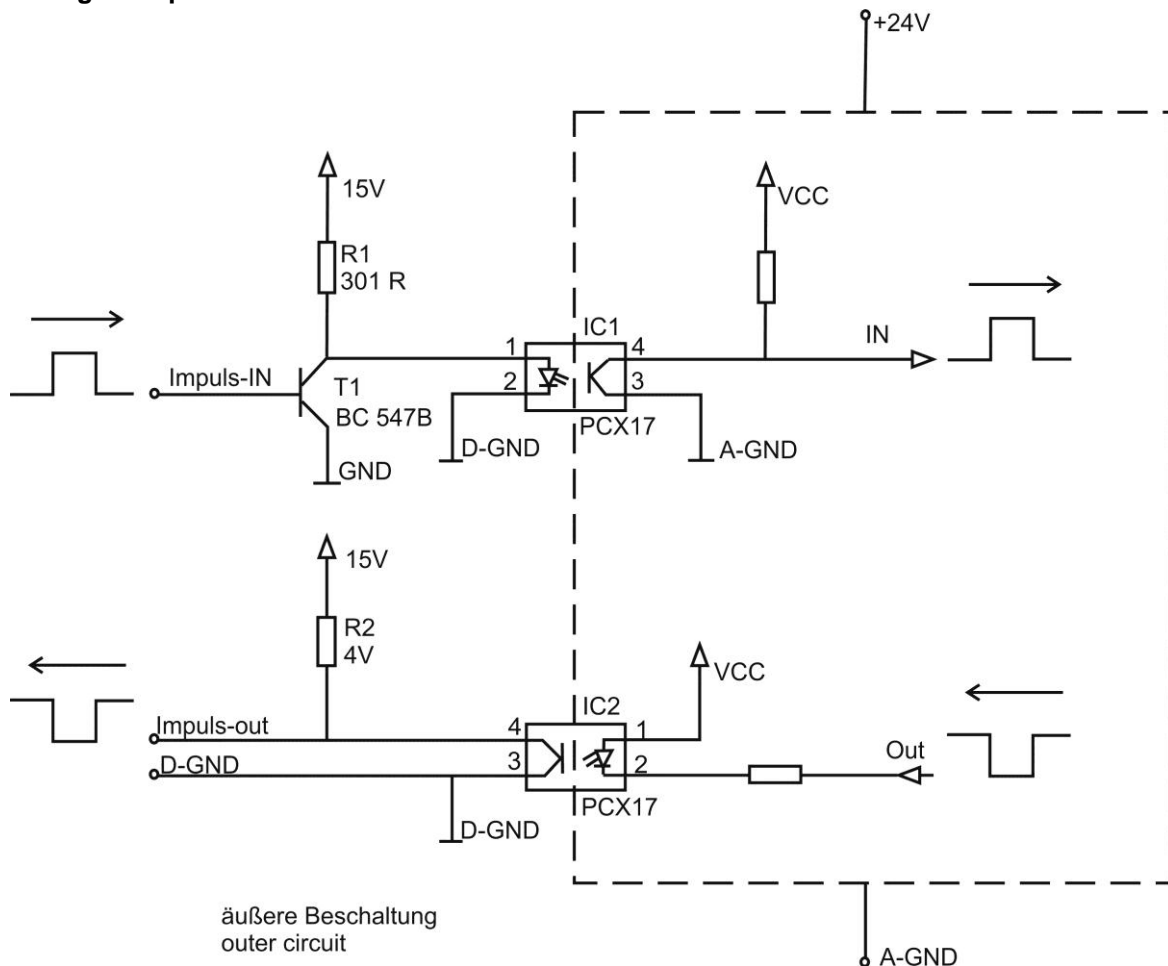


# Peristaltic pump "PERIClip" (art. no. 270430)

Technical Data and connections, overview



## Wiring example



## Application

The pump fills automatically the measuring chamber of TESTOMAT<sup>®</sup> devices. It is suitable for conveying of aqueous media.

## Data of basic version:

Principle of operation:	motor powered peristaltic pump
Delivery volume:	400 – 500 µl/min
Ambient temperature:	10-45°C
Dimensions (HxWxD):	75 mm x 45 mm x 110 mm
Mounting:	on 35 mm DIN rail
Tube material:	Norprene
Tube dimensions:	4,8 mm outside 1,6 mm inside
Tube connections:	tube fitting

## Notes

Fluids with a high viscosity can cause problems with the dosage. The amount of liquid which is dosed may be too small.

➤ At a high viscosity, check if enough liquid is dosed.

Watch out for a constant temperature in the measuring room, since different temperatures can lead to different dosages.

## Maintenance interval for the pump head

We recommend replacing the pump head after 2 years as the performance of the pump head can decrease due to wear-and-tear. Always replace the pump head if the maintenance message "Replace pump head" is displayed.

To replace the pump head you need a PeriClip ET (Art. no. 40362) pump head.

