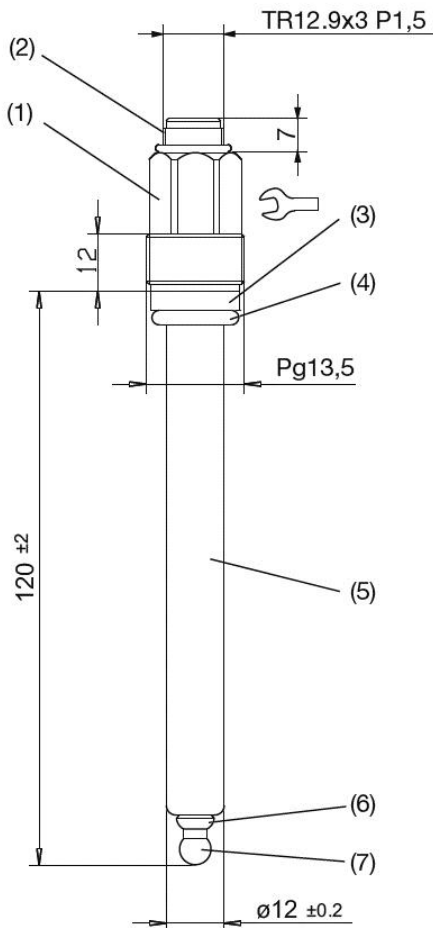


pH Combination Electrode EMK20

without temperature sensor (article no. 320301)



- 1 Pg13.5 screw cap
(max. tightening torque 3 Nm)
- 2 TR12.9x3 P1.5 thread
- 3 Ring (PSU)
- 4 O-ring 10 x 3.5 (FPM70)
- 5 Electrode shaft
(DIN19263 glass)
- 6 Ring diaphragm (PTFE)
- 7 Rounded membrane

Introduction

Follow these instructions when installing, operating, or servicing the product.

Scope of Application

- Industrial wastewater engineering
- Process measurements, electroplating plants, paper industry, drinks industry
- Wastewater containing oil
- Suspensions, varnishes, media containing solid particles
- Two-chamber system for when electrode poisons are present
- Media containing fluorides (hydrofluoric acid) up to 1000 mg/l HF

Measuring Range

pH: 0 ... 12 pH (briefly 14)
 Temperature: - 5 ... + 80°C (23 ... 176°F)
 Pressure: 10 bar

Technical Data

Material

Membrane glass: universal glass
 Shaft: Glass shaft, gel-sealed, cartridge-style conduction system
 Screw head: Pg 13.5 (S8)
 Diaphragm: PTFE ring diaphragm

With salt reserve option for increasing service life in media with lower conductivity.