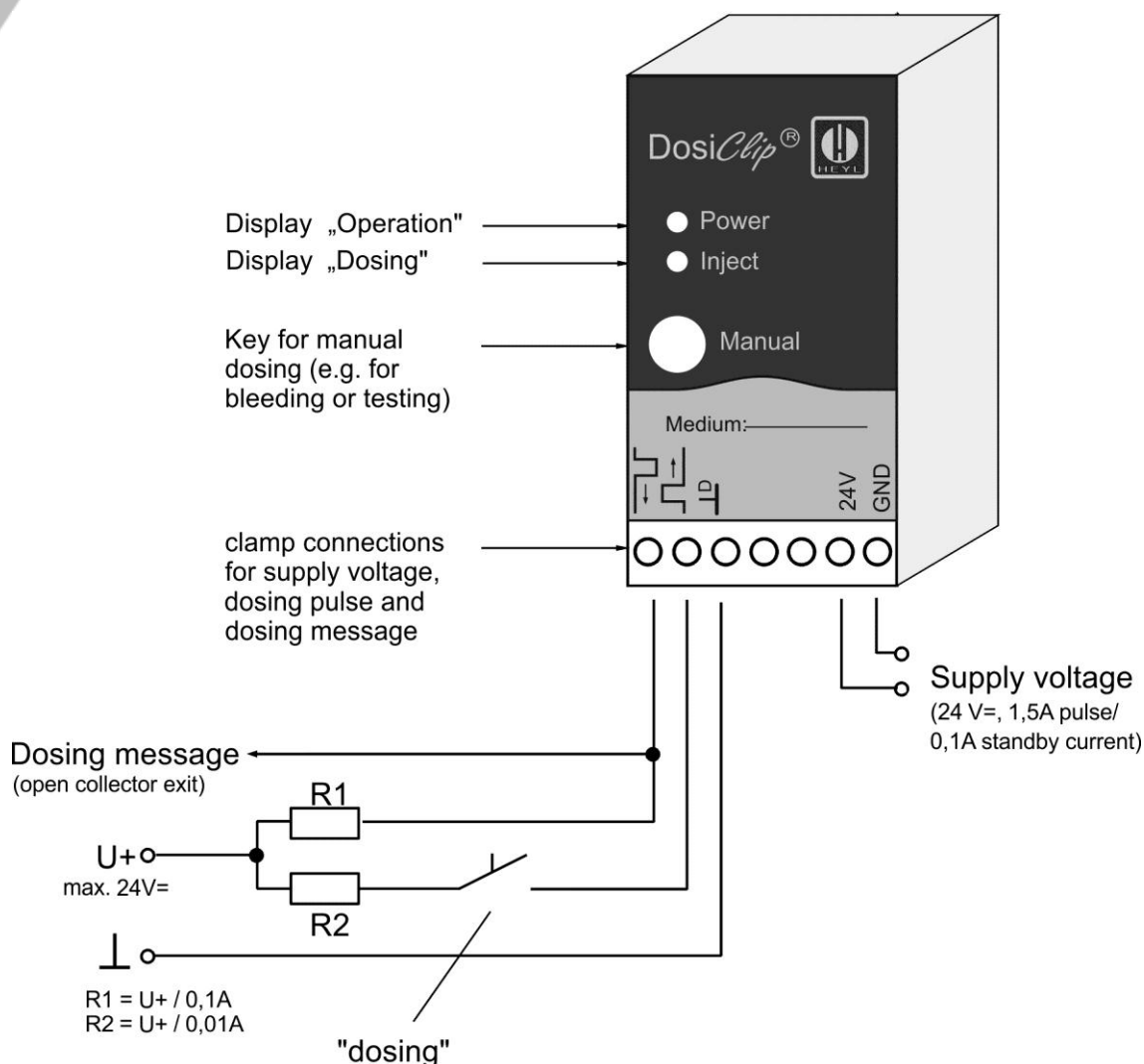




Dosing pump "DOSIClip" (art. no. 270470)

Technical Data and connections, overview



Data of basic version:

Principle of operation:	electromagnetic powered piston dosing pump
Delivery volume:	30 µl/stroke, max. 25 strokes/minute at short time operation 10 min. up to 15 strokes/minute at continuous operation
max. suction lift:	approx. 0,5m with water and 0,8mm tube dia.
max. pump pressure:	approx. 1bar with water and 0,8mm tube dia. (approx. 0,5m length)
Ambient temperature:	10-45°C
Dimensions (HxWxD):	75mm x 45mm x 110mm
Mounting:	on 35mm DIN rail
Tube connections:	flange fittings with 1/4"-G28 screw connection

Suitable for aqueous media, that are free from suspended particles. Not suitable for organic solvents and strong acids.



Gebrüder Heyl Analystechnik GmbH & Co. KG
Orleansstraße 75b
D 31135 Hildesheim
www.heyl.de

Dosiclip_GB_140804.docx